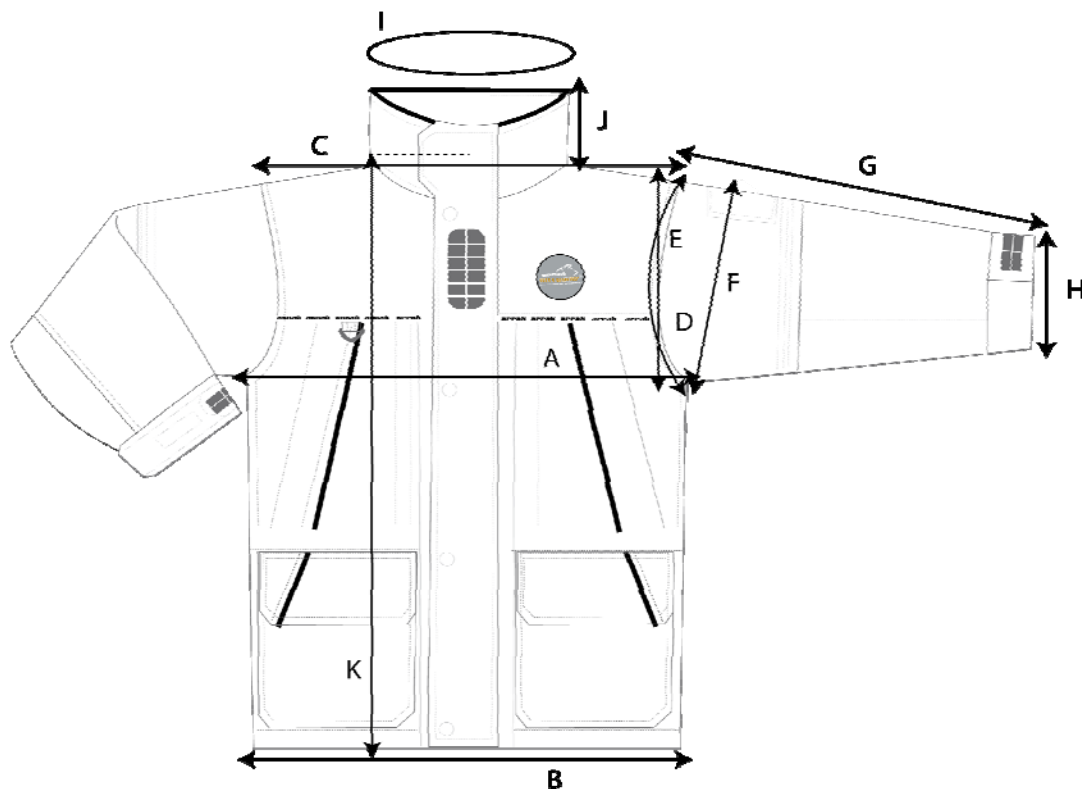


Article: AR-23 Arrak Originaljacket	Date: 2008-07-03
Order:	
MM-list	Supplier:
Name: Stig	



Tolerance in cms

Under 15 cm = +/- 1/2 15-65 cm = +/- 1 65-150cm = + 1.5 -1 over 150 cm = + 1.5 -1 Neck rib = +/- 0.02

REVISE	MEASUREMENTS	XXS	XS	S	M	L	XL	XXL	XXXL	XXXXL
	A 1/2 CHEST	51	58	61	64	67	70	73	76	79
	C 1/2 BOTTOM	51	58	61	64	67	70	73	76	79
	D SHOULDER TO SHOULDER	41	44	47	50	53	56	59	62	63
	F ARMHOLE DEPTH	26	27	28	29	30	31	32	33	34
	G ARMHOLE CURVED	28	29	30	31	32	33	34	35	36
	H 1/2 BICEPS	26	27	28	29	30	31	32	33	34
	SLEEVE LENGTH	65,5	66,5	67,5	68,5	69,5	70,5	71,5	72,5	73,5
	K 1/2 SLEEVE OPENING	13	13,5	14	14,5	15	15,5	16	16,5	17
	L COLLAR AROUND	57	59	60	61	62	63	64	65	66
	COLLAR height	10,5	11	11	11	11,5	11,5	11,5	11,5	11,5
	M C. B. LENGHT	70	72	74	76	78	80	82	84	86
	N NECK DROP FRONT	8	8,5	9	9,5	10	10,5	11	11	11
	O NECK DROP BACK	2	2	2	2	2	2	2	2	2
	SLANTING SHOULDER	5	5	5	5	5	5	5	5	5
	HOOD HEIGHT	33	34	34	34	34	34	35	35	35
	HOOD WIDTH	24	25	25	25	25	25	26	26	26